

For the outdoors

# SOLAR TYPE LED LIGHTING

# NICO LIGHT Atrium

ニコライト・アトリウム

After full charge, even if the day which does not shine for three days continues, lighting for about 10 hours per day is possible.

\* Since it may not become full charge even if fine weather continues according to the environment of a season, a place, etc., and it changes also by a battery life, sufficient lighting time may not be obtained.

**INTEGRAL TYPE**



The type which can be chosen

## "INTEGRAL TYPE" and "DISCRETE TYPE"

The "integral-type type" with which the solar panel and the main part were set to one, and the "discrete type type" which can carry out separation installation only of the solar panel.

## "SPOT TYPE" and "SPREAD TYPE"

The "spot type" focused on brightness, and the "spread type" of the wide irradiation range.

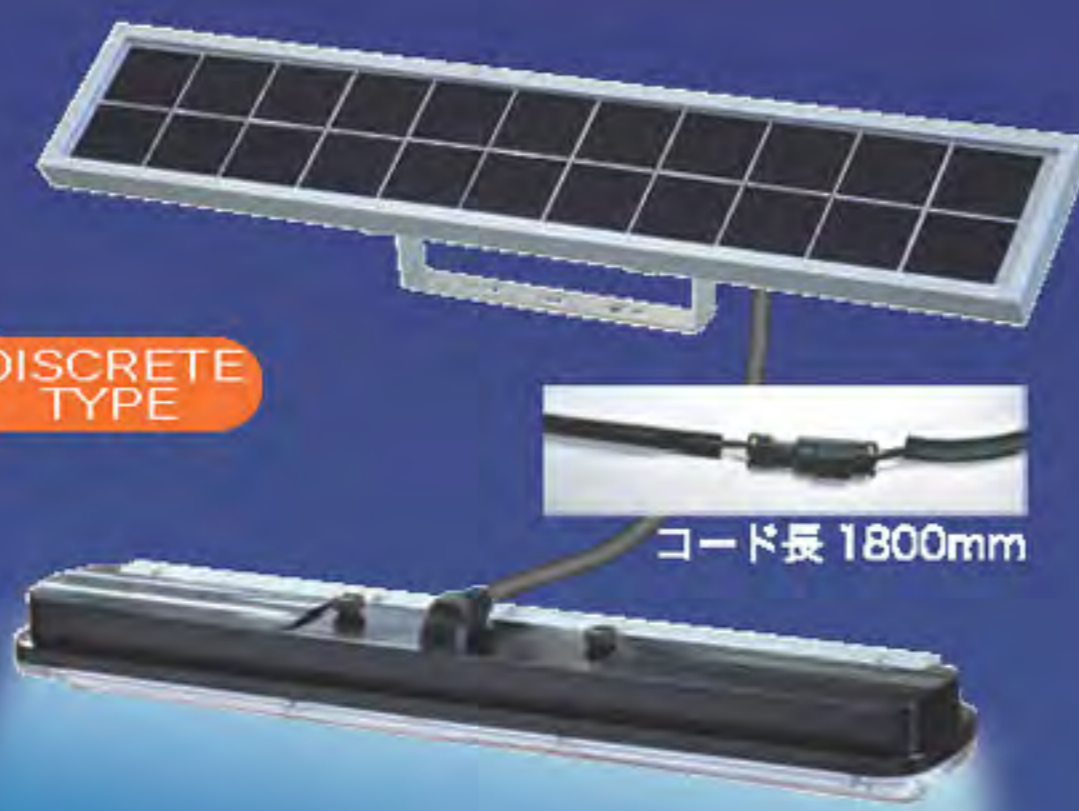
## "It is automatic lighting at night" and "feeling lighting of a person"

Two types of "feeling sensor lighting of a person" which detects "it is automatic lighting at night" and those who switch on the light after sunset, and it turns on.

## "WHITE" and "BLUE"

a luminescent color – two types of "white" and "blue."  
(As for blue blue, only a spot type.)

**DISCRETE TYPE**



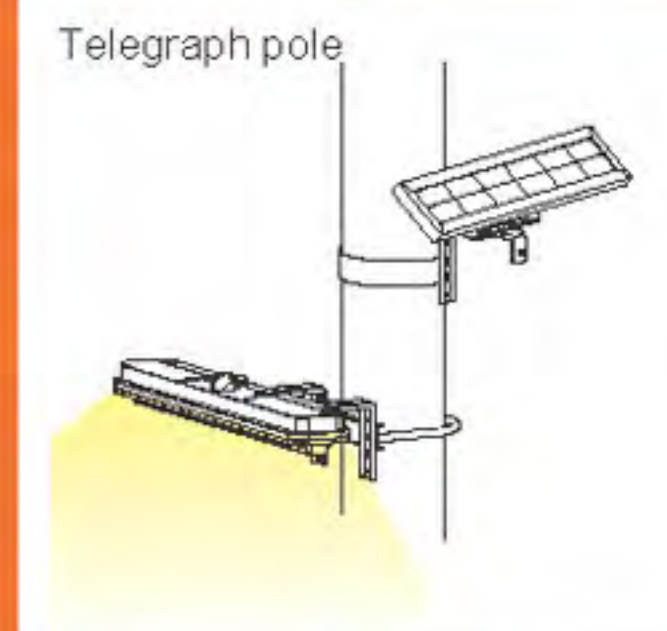
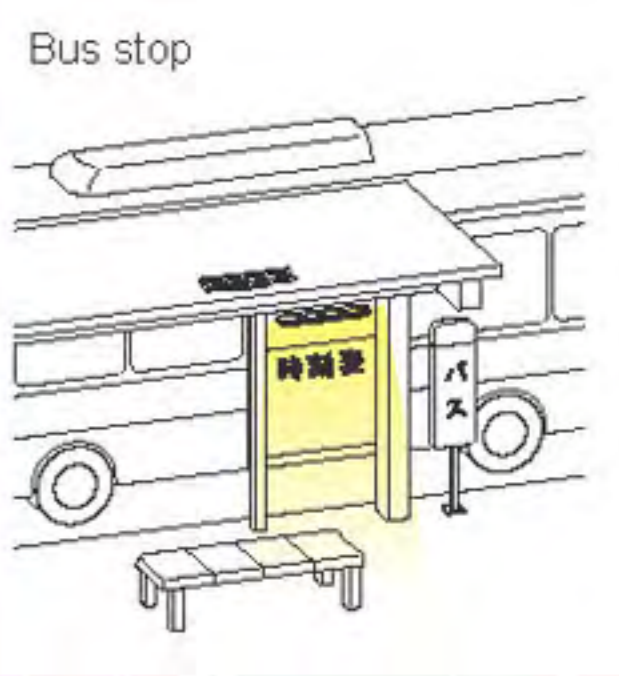
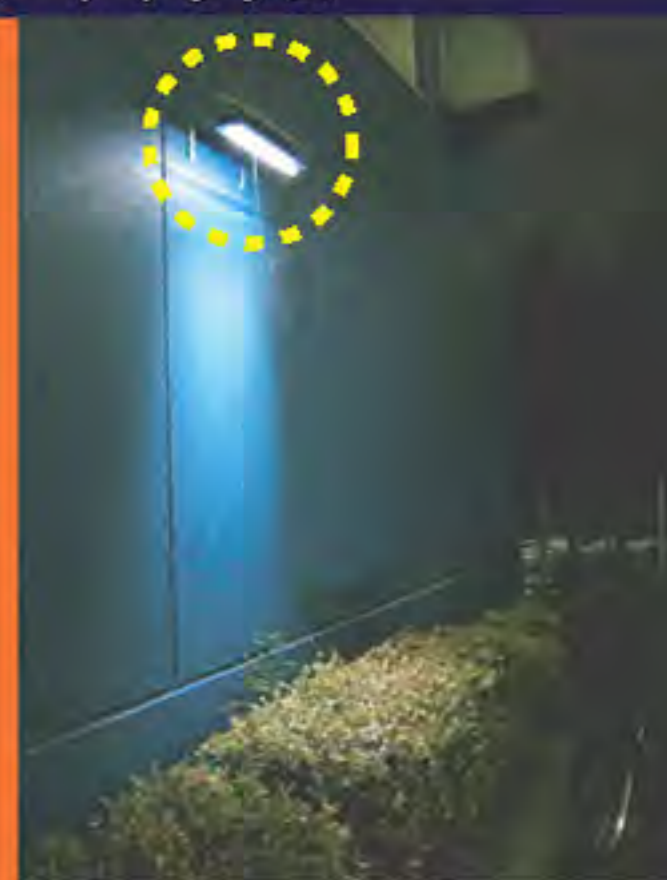
コード長 1800mm

SOLAR + LED = 0 (ゼロ) 電気代 (Electricity cost)

Co2

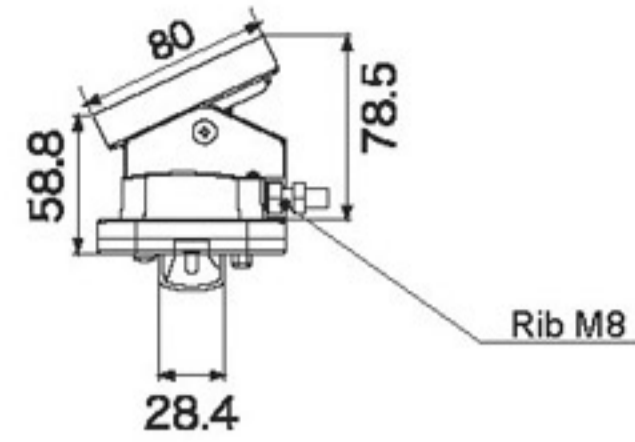
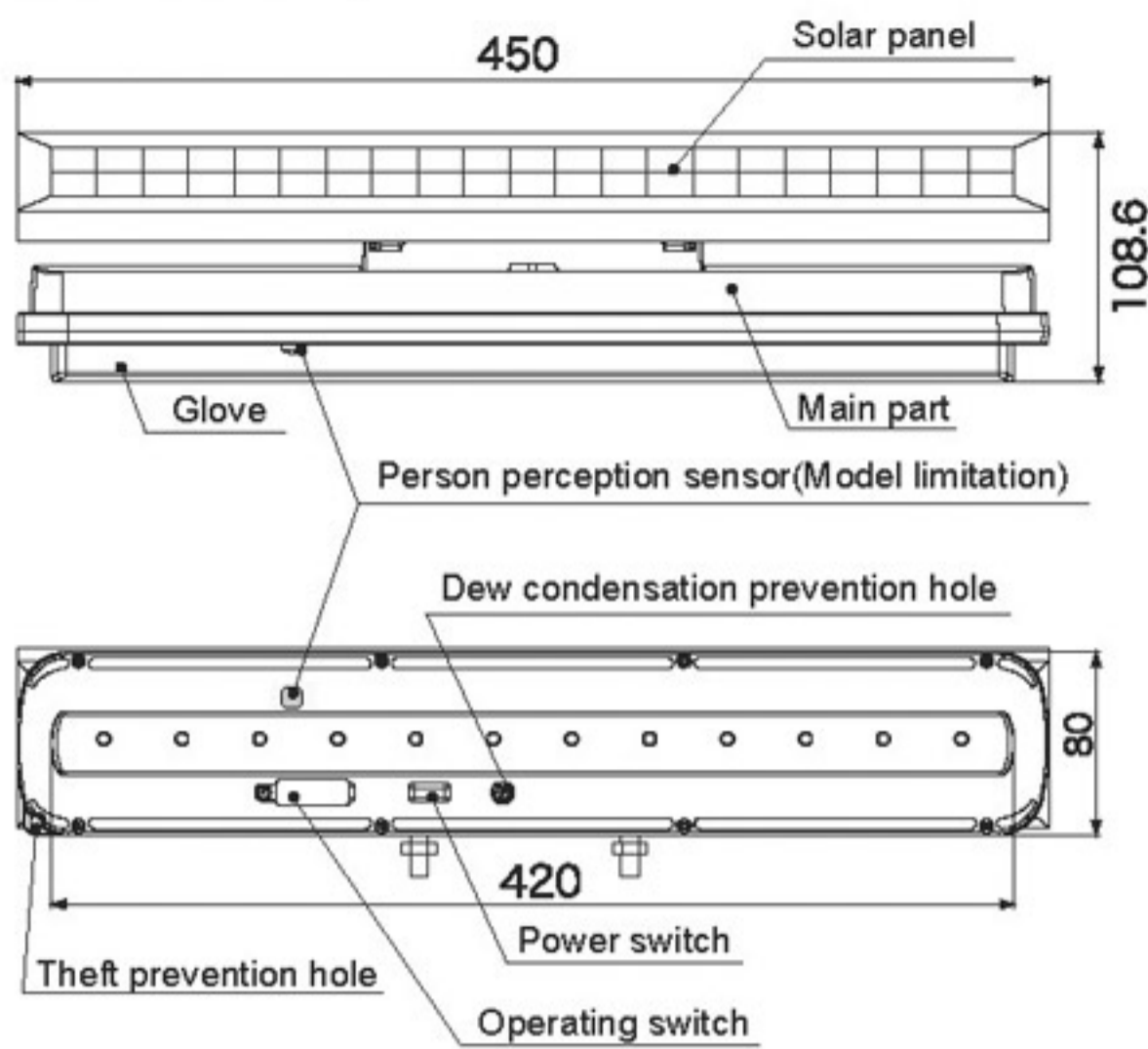


As safe as the safety illuminated brightly at various places.



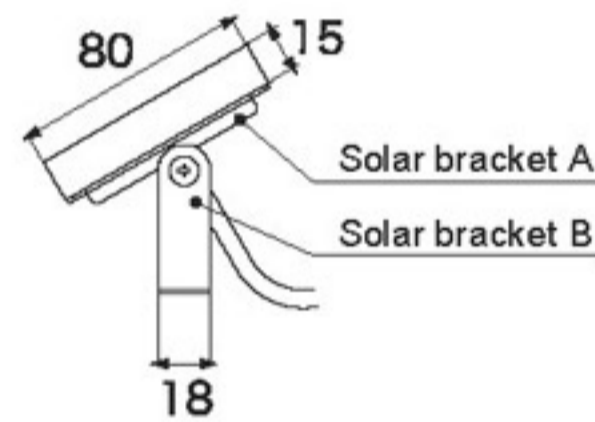
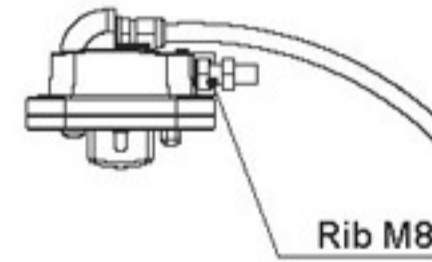
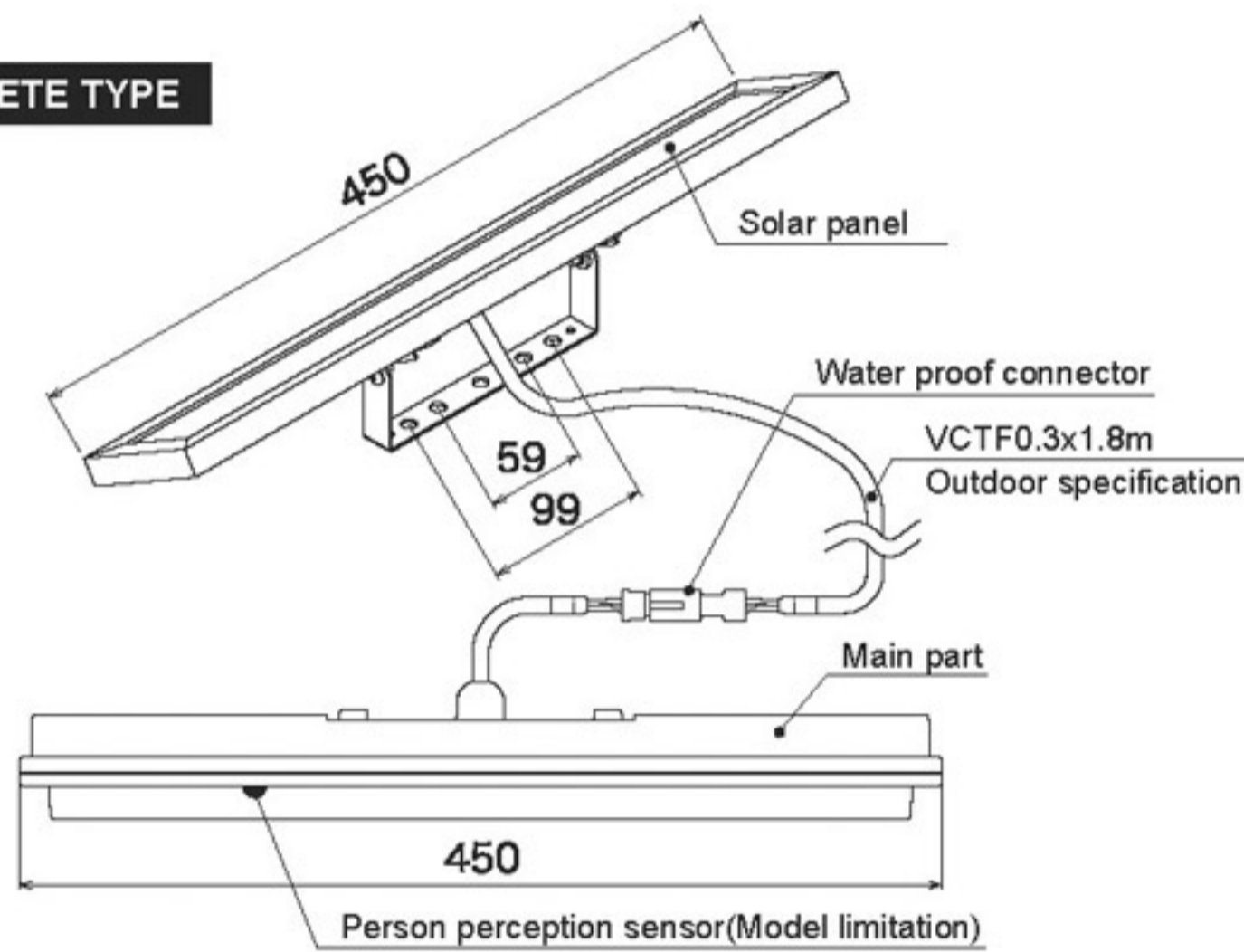
# EACH PART NAME and SIZE

## INTEGRAL TYPE



Main part : ABS  
Glove : Polycarbonate

## DISCRETE TYPE

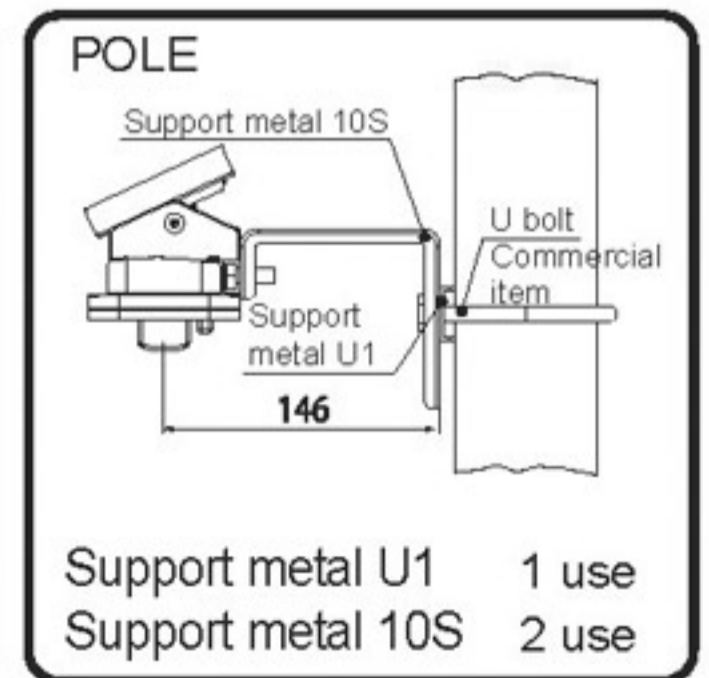
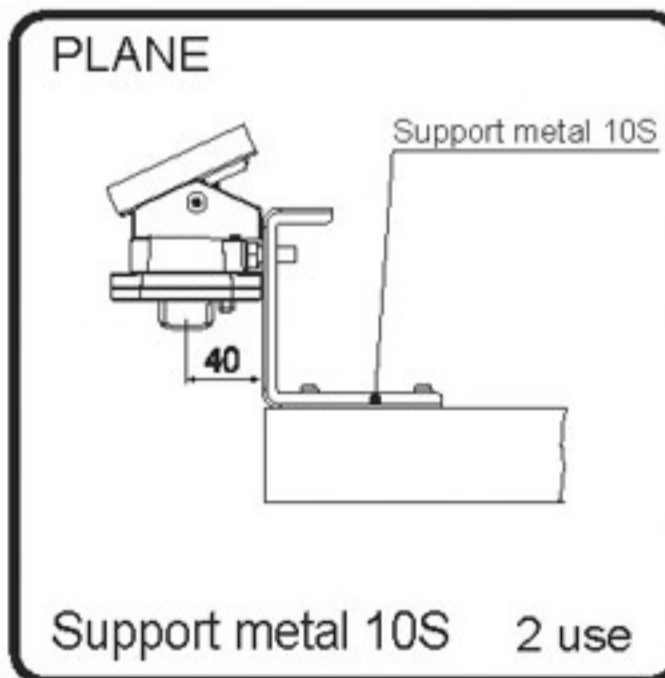
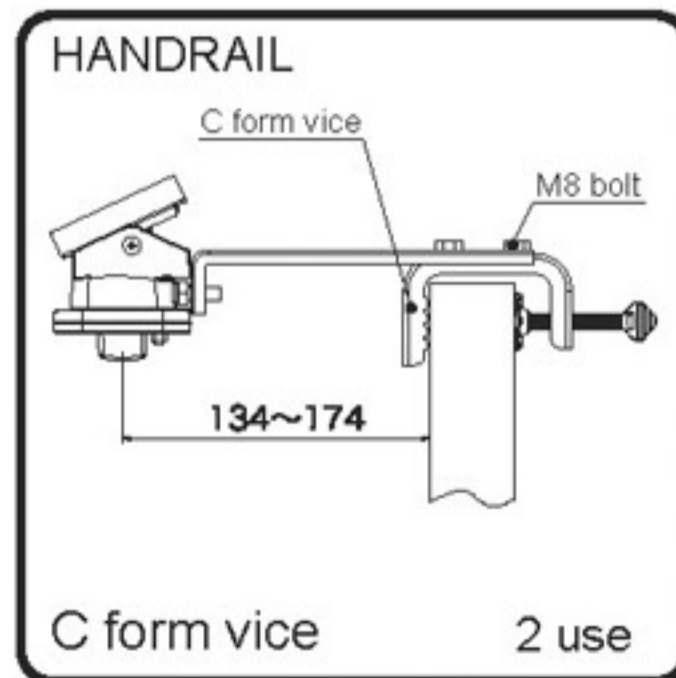
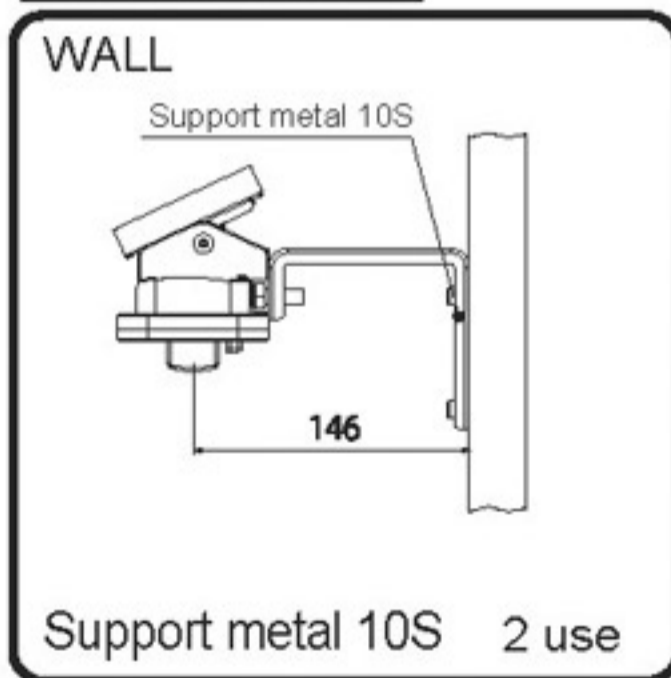


## Means of attachment

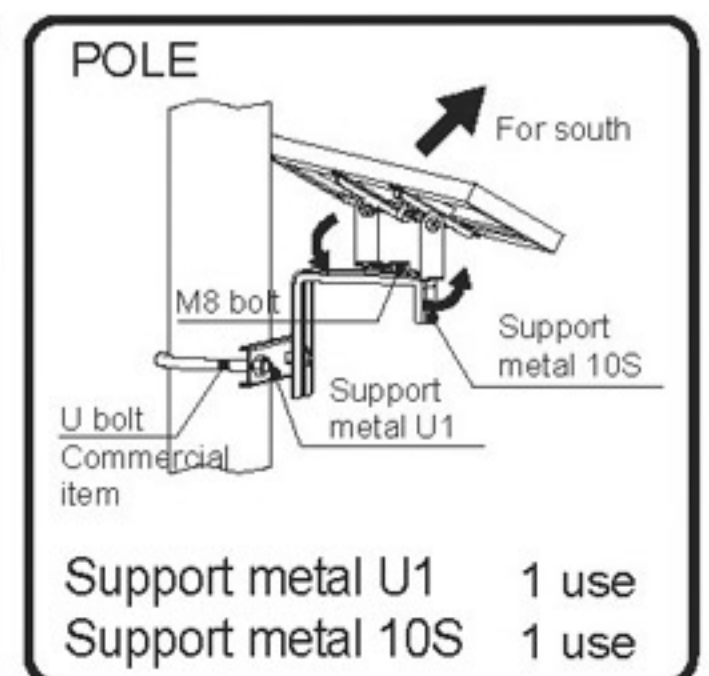
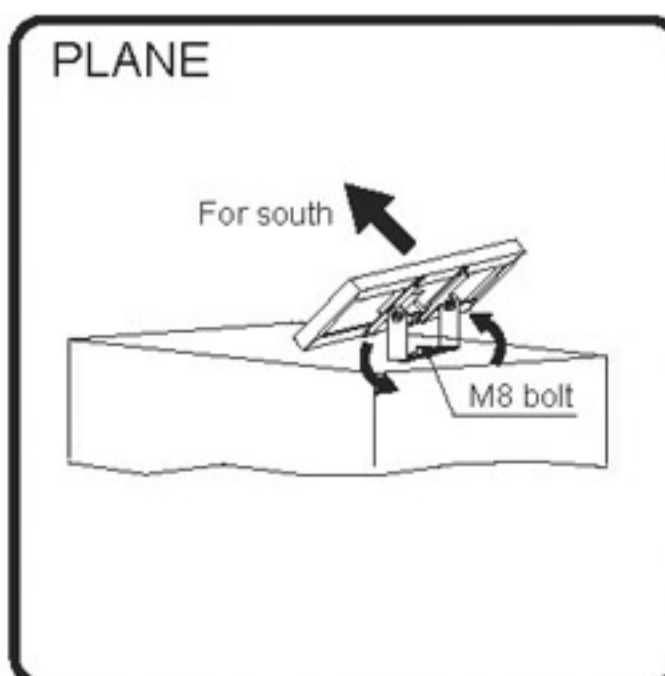
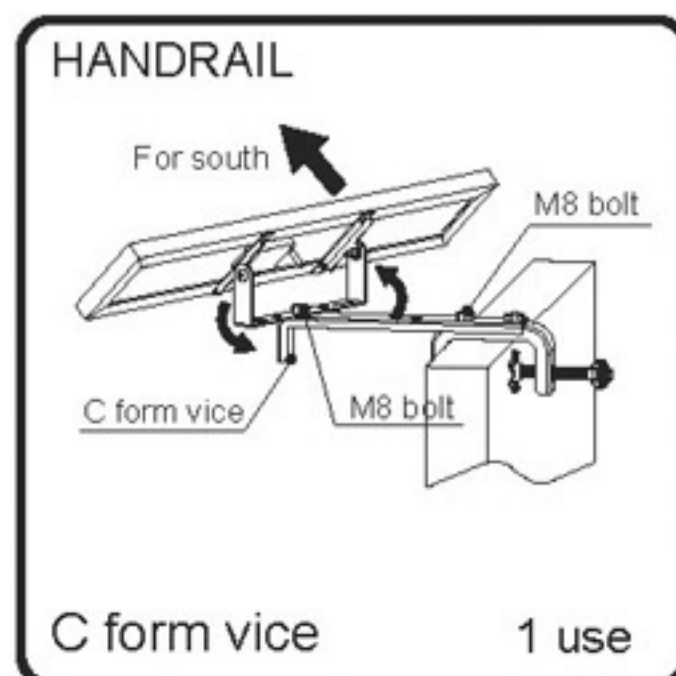
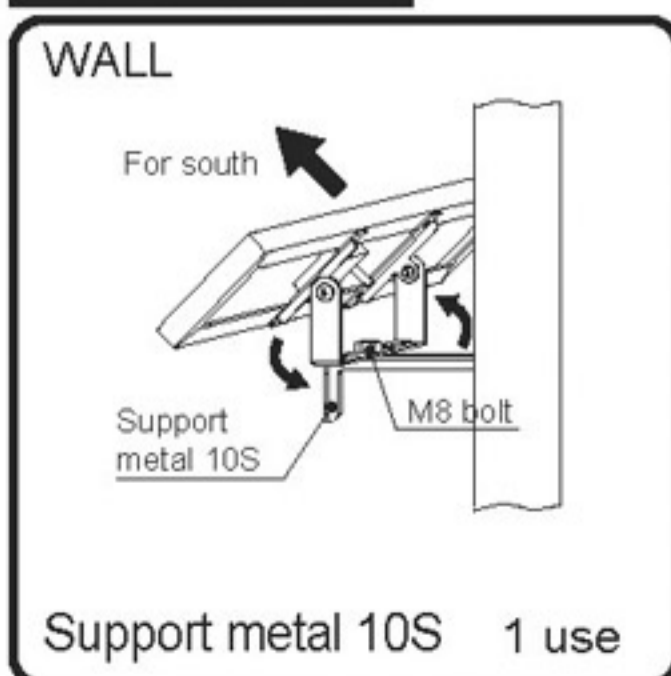
according to installation parts, such as the surface of a wall, a handrail, a plane, and a pole, attachment can be done simply -- as -- an "integral-type" and a "discrete type" -- it was alike, respectively and I have had in stock the corresponding attachment public-funds implement (option).

\* The following is an attachment example and becomes the attachment using commercial metal fittings separately depending on the situation of a setting position.

## INTEGRAL TYPE



## DISCRETE TYPE



# Solar panel & LED

Maintenance mitigation and cost reduction.

## ■ The solar panel of a longer operating life

A solar panel is high-class glass panel use of longer operating life single crystal silicon.

## ■ The battery charger of high capacity

Nickel hydoride battery (AA/1.2 V 2400 mAhx six pieces) built-in of high capacity.

## ■ Japanese-made LED 12-piece use

A large area is brightly illuminated for domestic super-high-intensity LED by 12-piece use.

## ■ "Lighting / blink" change is possible

The method of "it being automatic lighting in test lighting and the night" and "lighting and blink" of operation can be chosen.

## ■ It attaches and easy

A main part is equipped with the common rib made from aluminum in which broad attachment is possible. (Several kinds of option metal fittings for fixation are also preparation.)

## ■ Theft prevention

The hole for theft prevention is prepared.

## ■ It is an effect to an insect repellent

LED light is effective in the ability of an insect not to come near easily.



## SOLAR TYPE LED LIGHTING

● NICO LIGHT  
**Atrium**  
ニコライト・アトリウム

Clean energy safe also to  
the power failure  
at the time of a disaster

Solar type LED lighting "Atrium (atrium)" can be installed easily [ outdoor various places, such as a signboard, a sign, a fence, a telegraph pole, a park, a garden, an on-site office, a temporary lavatory, a cycle parking area, and a vending machine, the place where reservation of a power supply is difficult, etc. ], and is safe also to the power failure at the time of a disaster. They are the amount zero of Co2 discharge, and an electric bill of 0 yen with clean energy.

Both a solar panel and LED contribute to maintenance mitigation and cost reduction by a longer operating life.

## SPECIFICATION

TYPE	MODEL		Lighting system	LED		Function of operation		Operating time(MAX)		Element life	Mass (Kg)
	integral-type	discrete type		color	number of element	Lighting	Blink	Lighting	Blink		
SPOT (45°)	WA45S-004AS	WA45S-004BS	night sensor	white	(φ5) 12	●	●	About 10 hours x About 3 days	About 10 hours x About 5 days	Solar panel About 10 years  Battery About 2~3 years	1.5
	WA45S-004AB	WA45S-004BB		blue							
	WA45S-004AS/J	WA45S-004BS/J	person sensor	white							
	WA45S-004AB/J	WA45S-004BB/J		blue							
SPREAD (65°)	WA45S-004AW	WA45S-004BW	night sensor	white	●	●	About 10 hours x About 3 days	About 10 hours x About 5 days	Solar panel About 10 years  Battery About 2~3 years	1.5	
	WA45S-004AW/J	WA45S-004BW/J	person sensor	white						1.6	

■ Illumination at1m : A spot type / white 61Lx, and blue 14Lx A spread type / white 18Lx

\* Operating time is the conditions in the case where full charge is carried out in midsummer fine weather, and it can guarantee it by neither direction of a solar panel nor a battery life.

■ There is no spread type blue. ■ Please consult about salt-proof specification.

■ Change by outside air temperature, a season, and the area about lighting time or a battery life. Display data becomes a standard.

■ The feeling sensor type of people carries out day-and-night perception lighting. About perception lighting at night, it hears by special order correspondence.

option and a repair part	Extension cord 1m Extension cord 3m		C form vice	Support metal 10S	Support metal U1	Theft prevention chain	
	Name	Model	Explanation			Color	Material
	Extension cord 1m	BC7WA45E1	The extension cord of a discrete type (VCTF 0.3)			Black	-
	Extension cord 3m	BC7WA45E3	The extension cord of a discrete type (VCTF 0.3)			Black	-
	C form vice	A82773	Attachment lug for fences			Silver	Iron
	Support metal 10S	A82774	Metal fittings attached to the surface of a wall			Silver	Iron
	Support metal U1	A82775	Metal fittings attached to a pole			Silver	Iron
	Theft prevention chain	A82776	The set of a chain and a key			Silver	Iron
Battery charger	A64604	Nickel hydoride battery (AA 1.2V 2400mAh)			-	-	