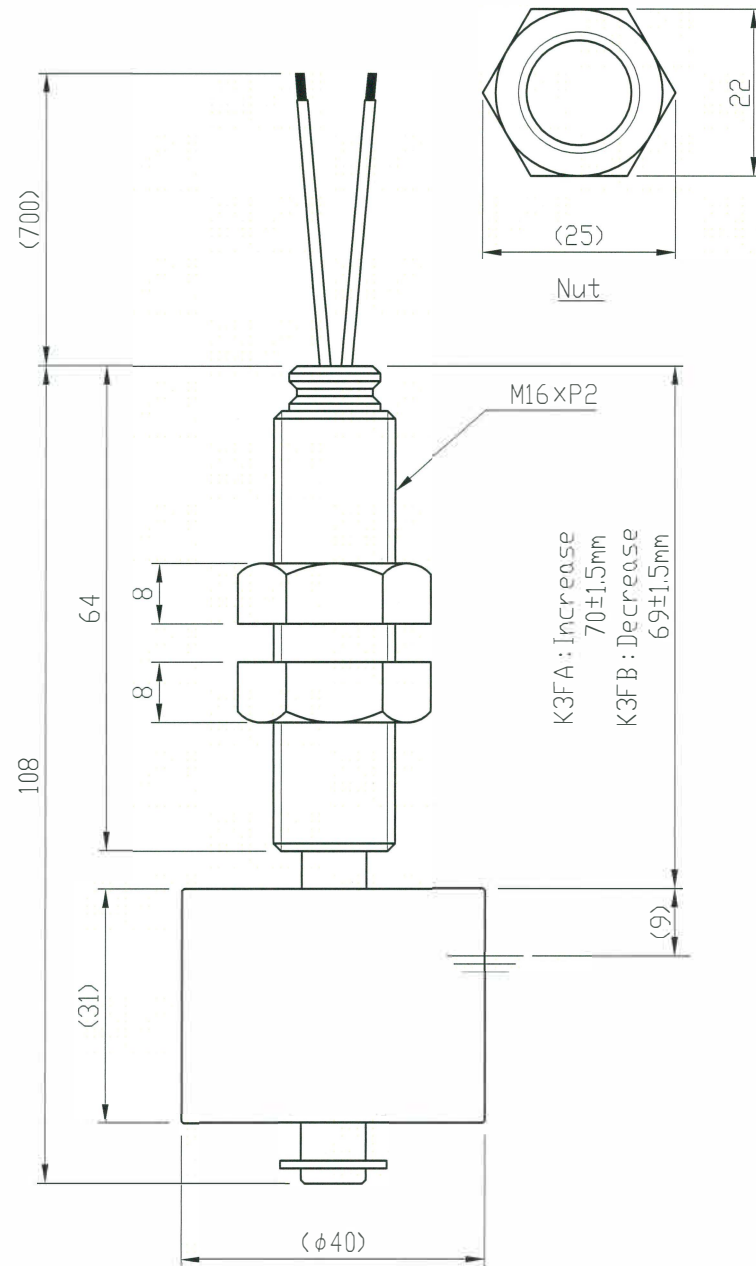


HL-K3F



Wire	UL1332 AWG22
Stem	PTFE
Nut	PTFE
Float	PTFE
Stopper	PTFE