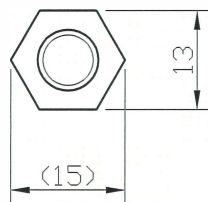
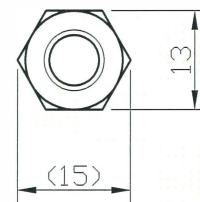


HL-S1

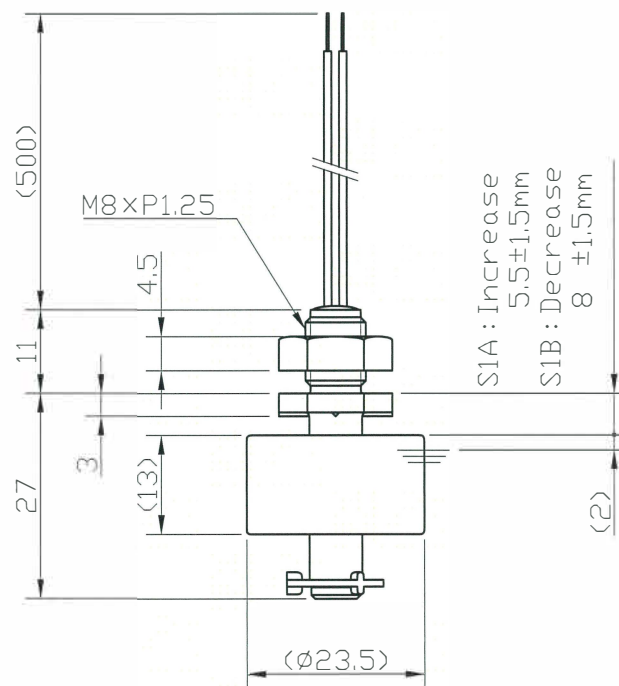
Wire	UL1007 AWG24
Stem	PP
Nut	PP
Float	PP-E
Stopper	PP



Flange



Nut



Made in Japan

<http://www.tashika.co.jp/>