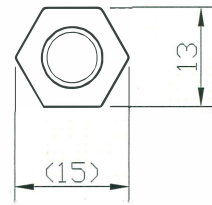
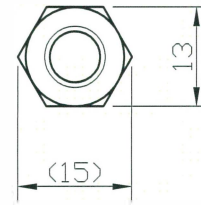


HL-S2

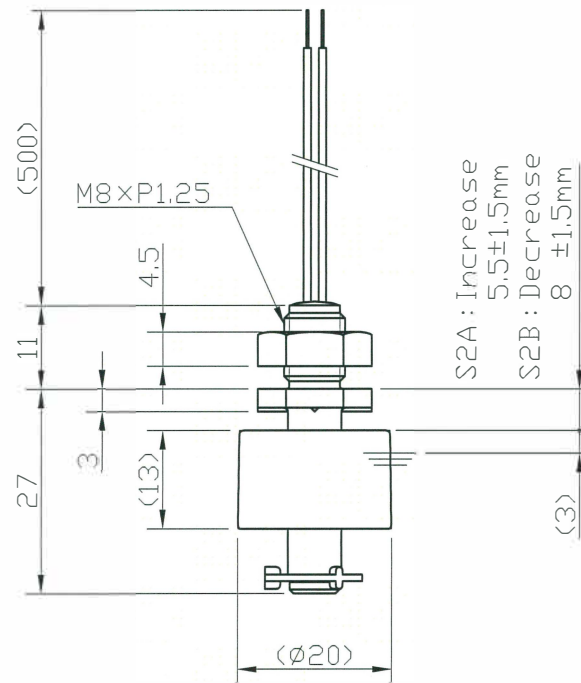
Wire	UL3266 AWG24
Stem	POM
Nut	POM
Float	NBR-E
Stopper	POM



Flange



Nut



Made in Japan

<http://www.tashika.co.jp/>