

Reliably detects double sheet or heated seal of plastic bags



■ Application



- Embedded amplifier with analog output
- M18 threaded screw housing
- Not affected by color or surface finish of the detecting object
- Fast response time

SPECIFICATIONS

Model	US-T04AN
Detection method	Through
Detection distance	20 to 60mm (optimum distance: 40mm)
Operational power	24VDC±10%, Ripple 10% or less
Power consumption	39mA or less
Response time	3ms or less
Output mode	Analog output: 1 to 4V
Operation mode	Output proportional to received ultrasonic intensity
Ultrasonic frequency	380kHz±15kHz
Indicator	Transmitter: Power indicator (Green) Receiver: Power/Teaching error indicator (Blue)
Operation method	Teaching type
Auxiliary functions	Protection against reverse power connection
Material	Case: SUS303, Detection surface: glass epoxy, polyurethane form, ABS
Connection method	Attached cable: 3.5mm O.D. Transmitter: 0.15mm ² ×3 cores, 2m, Receiver: 0.15mm ² ×4 cores, 2m
Weight	Approx. 130g (including cable)
Accessories	Instruction Manual, Resin nut: 4 pcs (*1)

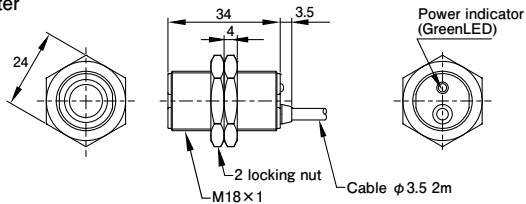
*1: SUS nut (optional): Model: US-N2

ENVIRONMENTAL SPECIFICATION

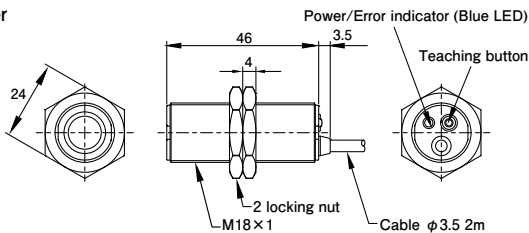
Ambient temperature	-10 to +55°C (no freezing)
Ambient humidity	35 to 85%RH (no condensation)
Protective structure	I P65
Vibration	10 to 55Hz/1.5mm double amplitude/2 hours each in 3 directions (X,Y,Z)
Shock	300m/s ² , 3 directions (X,Y,Z) for each three times
Dielectric withstanding	500VAC, one minute
Insulation resistance	500V megger, 20MΩ or more

DIMENSIONS (unit : mm)

Transmitter



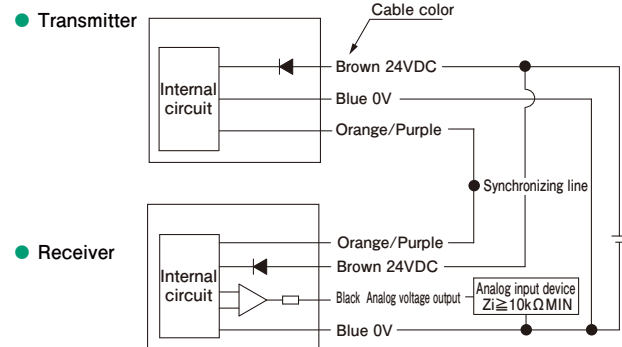
Receiver



Full scale



CONNECTION



The sensors are supplied in coordinated pairs of an ultrasonic transmitter and a receiver each of which has a matching serial No.

Optional part

Tightening nut (SUS, 2 pcs/set): US-N2

※ A set (2 nuts) is required for each transmitter and receiver.



- This product is designed for industrial applications to detect a various kinds of objects. It has no function to prevent disasters, accidents, death or injuries.
- We will not held responsible for any damage or loss incurred due to accidents, faulty installation, abuse, misuse, improper maintenance or acts of God including lightning surge.
- This product cannot be used as safety equipment.
- This product is designed and manufactured for industrial use. It cannot be used where there is a requirement for a high degree of reliability or considerable care or attention to safety.
- Read this instruction manual carefully and use the product properly according to it.
- This instruction manual including the specifications and dimensions may be subject to change without notice.

DUE TO CONTINUOUS PRODUCTIMPROVEMENT, THEDESIGN AND TECHNICAL SPECIFICATIONS ARE SUBJECTTO CHANGE WITHOUT PRIORNOTICE

TASHIKA CO., LTD.

1-12, Kaiyo-cho, Ashiya, Hyogo
659-0035 Japan
Tel: + 81-797-23-9035 Fax: + 81-797-23-2105
e-mail: sales@tashika.co.jp URL: www.tashika.co.jp

